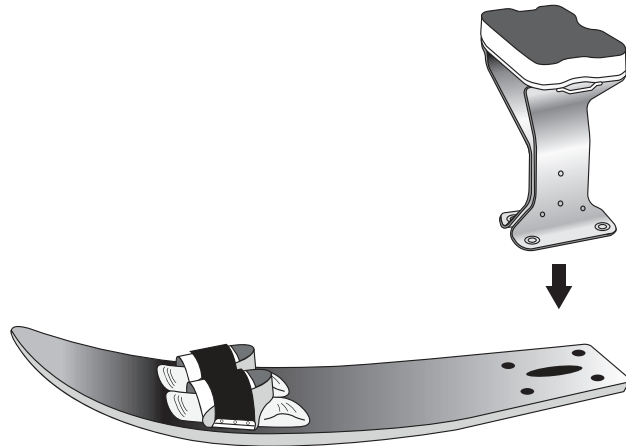


Assembly Instructions

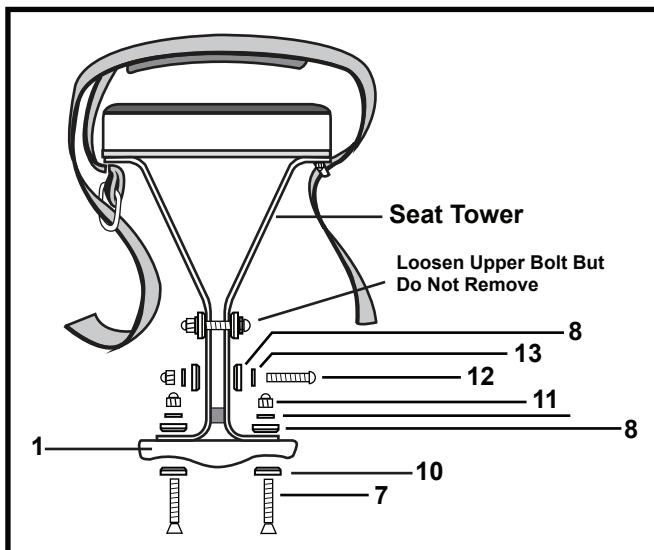
STEP 1

Pretty Simple...

Attach seat tower to board, be sure cut out area in seat is toward the rear.



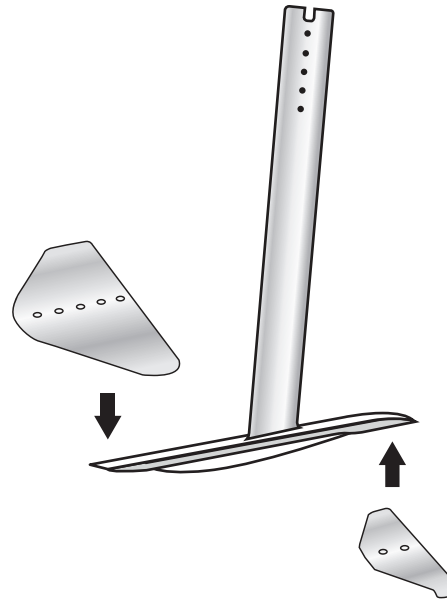
(See parts list for correct hardware)



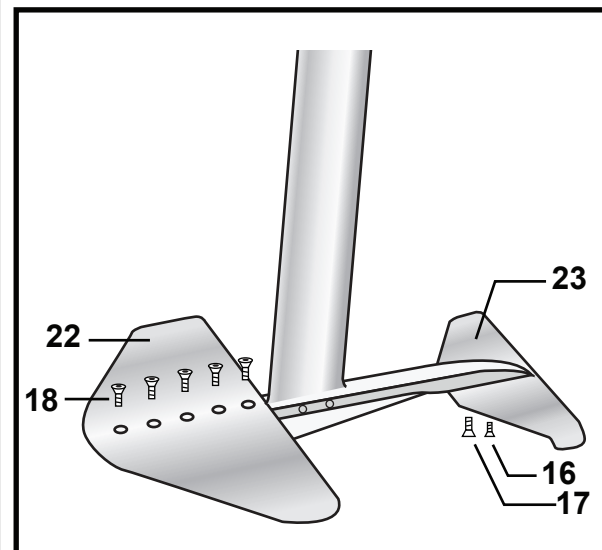
STEP 2

Just as simple...

Attach wings to T-Bar



(See parts list for correct hardware)



STEP 3

Not As Simple...

Attach foil assembly



(See parts list for correct hardware)

